

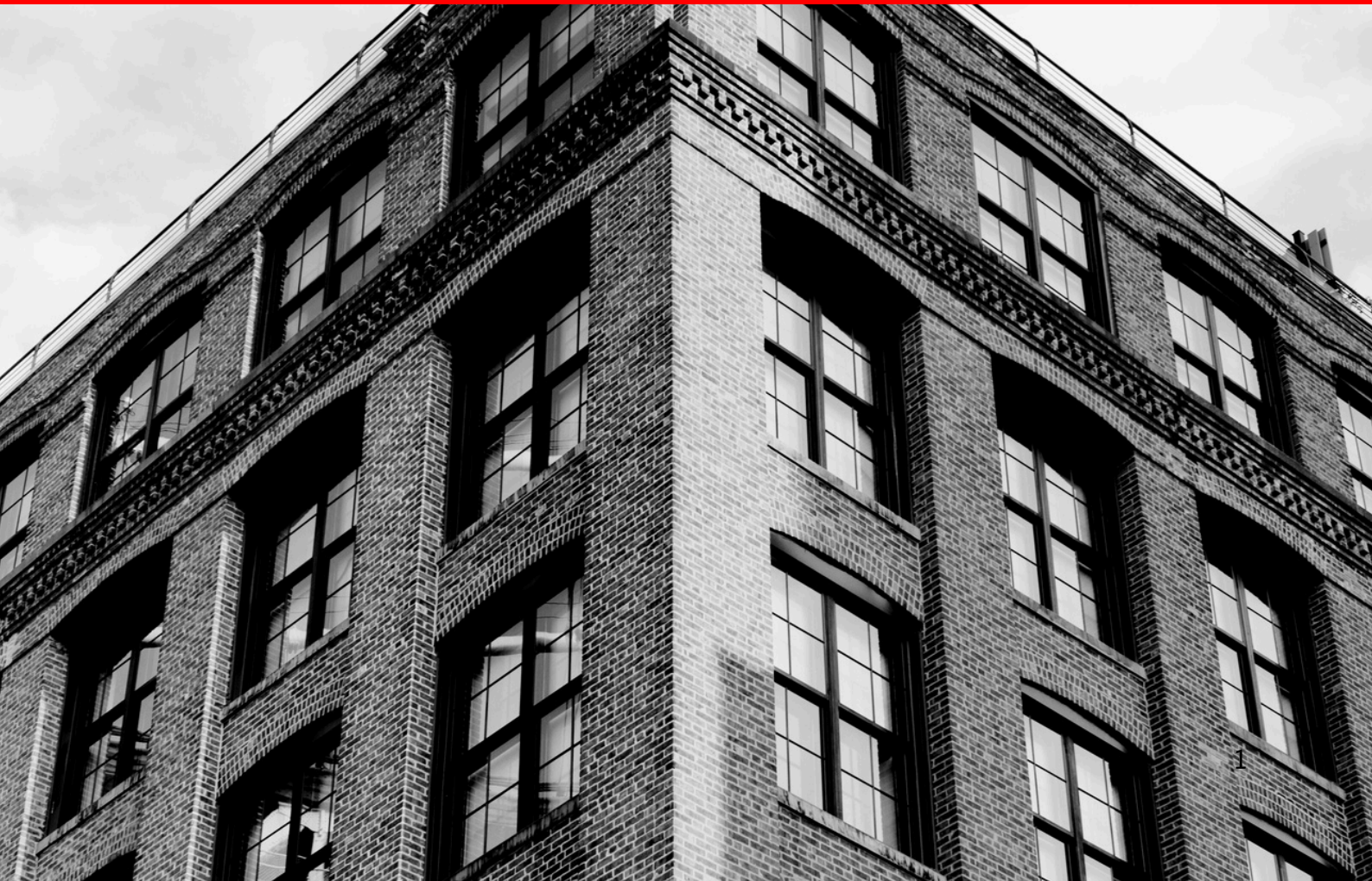


PFC COROFIL
PASSIVE FIRE PROTECTION SOLUTIONS

PFC-COROFIL.COM

PASSIVE FIRE PROTECTION FOR BRICKWORK

PRODUCT BROCHURE





PFC COROFIL
PASSIVE FIRE PROTECTION SOLUTIONS

CONFIDENCE IN CONSTRUCTION

WWW.PFC-COROFIL.COM

+44 (0) 208 391 0533



CAVITY FIRE STOP CCFS



- ✓ Suitable for cavities up to 600mm
- ✓ CCPI Verified
- ✓ Third party certified
- ✓ Can be installed against SFS with calcium silicate fibre cement or gypsum boards
- ✓ Can be installed against aerated concrete, concrete, & masonry substrates
- ✓ Can be installed in a masonry support system
- ✓ Provides up to 120 minutes fire integrity and insulation performance

A FULL FILL CAVITY FIRE BARRIER THAT CAN BE USED HORIZONTALLY AND VERTICALLY.

PFC Corofil Cavity Fire Stop full fill cavity barrier is a stone wool product installed between the façade and the inner structure of a building to reinstate the fire resistance performance of the cavity.

Tested to EN1366-4 and EN1363-1 TR031, the PFC Corofil Cavity Fire Stop CCFS will provide up to 120 minutes fire integrity and insulation performance.

PFC Corofil Cavity Fire Stop can be supplied in full slabs 1003mm x 605mm, or cut to size to suit the cavity width, and can be supplied as plain stone wool, foil encapsulated, or with an integral DPC.

PFC Corofil Cavity Fire Stop is suitable for cavity widths up to 600mm.

For full specification, please use the QR code to view the product technical data sheet.

CAVITY FIRE STOP CCFS SLABS



- ✓ Suitable for cavities up to 600mm
- ✓ CCPI Verified
- ✓ Third party certified
- ✓ Can be installed against SFS with calcium silicate fibre cement or gypsum boards
- ✓ Can be installed against aerated concrete, concrete, & masonry substrates
- ✓ Can be installed in a masonry support system
- ✓ Provides up to 120 minutes fire integrity and insulation performance

PFC COROFIL CAVITY FIRE STOP CCFS SLABS CAN BE CUT TO SIZE ON SITE FOR INSTALLATION WITHIN BUILDING CAVITIES.

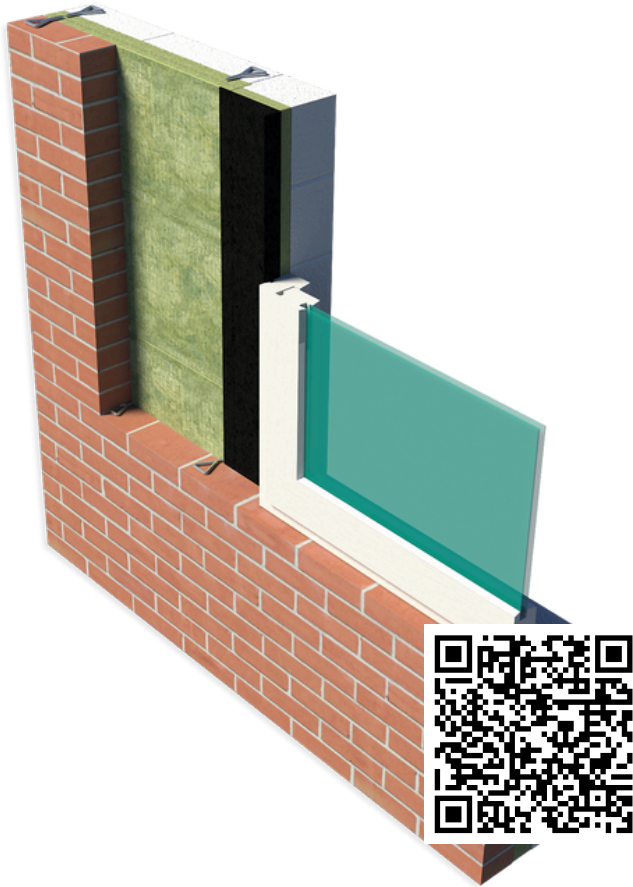
PFC Corofil Cavity Fire Stop CCFS Slabs are cut to suit the dimension of the cavity to be fire stopped and are suitable for installation against SFS with a calcium silicate fibre cement board, and masonry substrates in both horizontal and vertical orientations in cavities up to 600 mm wide, and for installation in a masonry support system in cavities up to 450 mm wide

All tested cavity widths and substrate specifications along with their fire resistance performance can be found on the technical data sheet TDSCCFSS.

Applications provide up to 120 minutes fire integrity and insulation performance

For full specification, please use the QR code to view the product technical data sheet.

CAVITY FIRE STOP CCFS WITH DPC



- ✓ Tested to EN1366-4
- ✓ Suitable for cavities up to 600mm
- ✓ Provides up to 120 minutes fire integrity and insulation performance

A STONEWOOL PRODUCT WITH AN INTEGRAL POLYTHENE DPC ADHERED TO ITS OUTER FACE.

PFC Corofil Cavity Fire Stop with DPC is designed and tested to maintain the fire resistance performance within a cavity where the party wall intersects with the outer face of the building and in the reveal around doors and windows.

It has been tested to EN1366-4 and will provide up to 120 minutes of fire integrity and insulation performance.

For full specification, please use the QR code to view the product technical data sheet.



- ✓ Tested to EN1366-4:2021
- ✓ CCPI Verified
- ✓ Suitable for masonry cavities up to 300mm
- ✓ Allows greater compression when installing in cavities with wet mortar

A FULL FILL CAVITY FIRE BARRIER MANUFACTURED FROM A 100MM THICK LOW DENSITY STONE WOOL PRODUCT.

PFC Corofil Cavity Fire Barrier CCFB is a full fill cavity fire barrier manufactured from a 100mm thick low density stone wool product installed between the inner and outer substrates of a masonry façade to reinstate the fire resistance performance of the cavity. The lighter density allows greater scope for compression when installing within brickwork cavities when using wet mortar.

PFC Corofil Cavity Fire Barrier has been tested to EN1366-4:2021 and will provide up to 120 minutes fire integrity and 60 minutes insulation performance.

PFC Corofil Cavity Fire Barrier is suitable for cavity widths up to 300mm.

For full specification, please use the QR code to view the product technical data sheet.



- ✓ CCPI Verified
- ✓ Third party certified
- ✓ Suitable for linear joints up to 200mm wide
- ✓ Suitable for lateral movement joints up to 100mm with ≤ 25 mm extension in both rigid floors and rigid walls
- ✓ Can be used in rigid floors, rigid walls, to the underside of a steel beam (protected with gypsum based beam encasement system)
- ✓ Provides up to 240 minutes fire integrity and insulation performance

A FIRE STOPPING SOLUTION FOR HORIZONTAL AND VERTICAL LINEAR JOINTS.

PFC Corofil Linear Gap Strip is a stone wool strip installed in rigid wall and rigid floor constructions to maintain the fire resistance of the separating element.

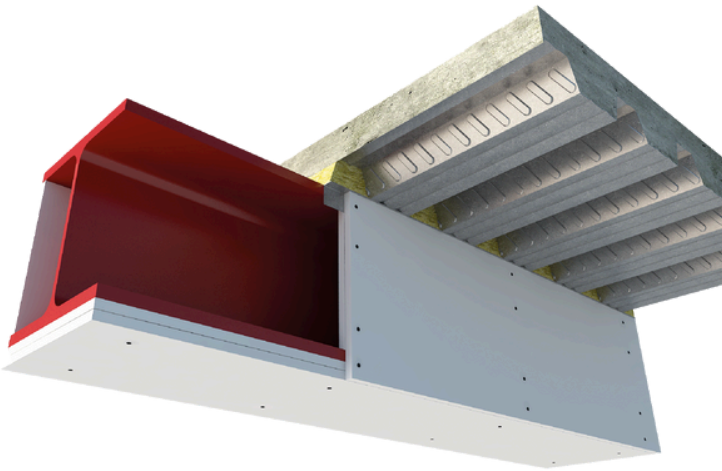
PFC Corofil Linear Gap Strip is designed and tested to close linear gaps in rigid walls and rigid floors. Tested to EN1366-4, the strips will provide up to 240 minutes fire integrity and insulation performance.

The product is supplied pre cut in 1 metre lengths to suit joint widths up to 200mm and depths from a minimum of 100mm.

For full specification, please use the QR code to view the product technical data sheet.



- ✓ CCPI Verified
- ✓ Third party certified
- ✓ Product made from non-combustible stone wool
- ✓ Suitable for profiled composite decking up to 210mm high
- ✓ Can be used above Flexible walls, rigid walls, and steel beam (protected with gypsum based beam encasement system)
- ✓ Provides up to 120 minutes fire integrity and insulation performance



A STONE WOOL BLOCK INSTALLED IN THE TRAPEZOIDAL PROFILE OF A COMPOSITE PROFILE DECK.

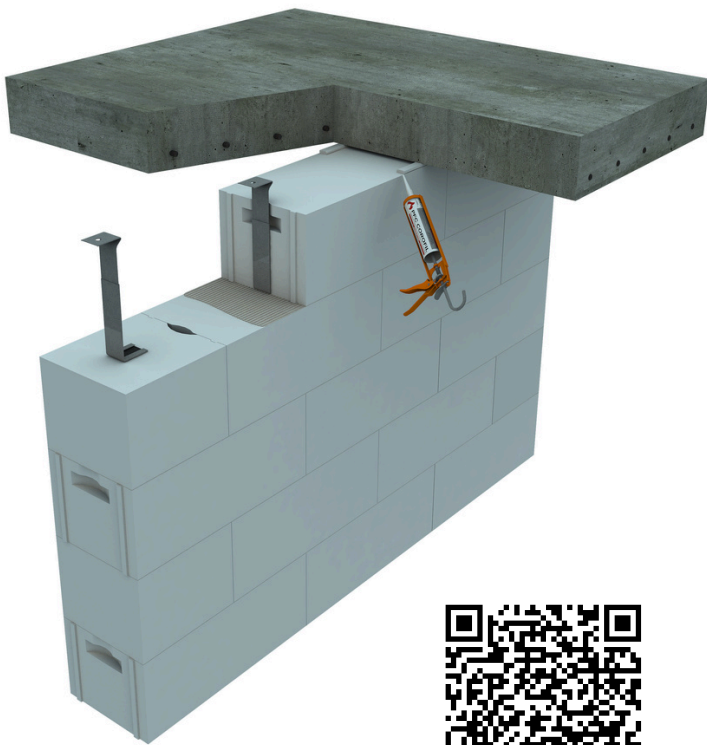
PFC Corofil Linear Gap Block is a stone wool block installed in the trapezoidal profile of a composite profile deck at the head of flexible or rigid wall constructions and above a steel beam protected with a gypsum-based cladding system.

Tested to EN1366-4, PFC Corofil Linear Gap Blocks will provide up to 120 minutes fire integrity and insulation performance.

The product is supplied pre-cut to suit the profile of the composite deck in which it is to be installed. The fire-stopping blocks can be installed in composite decks with profiles up to 210mm high, to the depth of the wall head or beam, minimum of 100mm deep.

For full specification, please use the QR code to view the product technical data sheet.

ACOUSTIC INTUMESCENT SEALANT CAIS



- ✓ Third party certified
- ✓ Tested to both EN1366-3:2009 and EN1366-4:2006
- ✓ Suitable for linear joints up to 60mm



AN INTUMESCENT, FIRE-STOPPING SEALANT SUITABLE FOR LINEAR GAP SEALS.

PFC Corofil Acoustic Intumescent Sealant is an acrylic-based sealant used to form linear gap seals where gaps are present in wall and floor constructions and linear joint seals where wall and floor constructions meet.

Tested to EN1366-4, PFC Corofil Acoustic Intumescent Sealant will provide up to 240 minutes fire integrity and 120 minutes insulation performance.

For full specification, please use the QR code to view the product technical data sheet.



- ✓ Suitable for linear joints up to 200mm wide
- ✓ Maximum movement capability $\leq 25\%$

AN ACRYLIC BASED LIQUID SEALANT.

PFC Corofil Fastight Coating is an acrylic based liquid sealant, painted, trowelled or sprayed onto the outer face of PFC Corofil Linear Gap Strips (CLGS) or PFC Corofil Linear Gap Blocks (CLGB).

PFC Corofil Fastight Coating is supplied in liquid form and is available in 5 litre and 20 litre tubs.

PFC Corofil Fastight Coating is intended to provide a decorative finish to the visible face of the PFC Corofil Linear Gap Strip (CLGS) or PFC Corofil Linear Gap Block (CLGB), whilst also improving the acoustic, cold smoke, and air sealing performance of the mineral fibre.

For full specification, please use the QR code to view the product technical data sheet.



PFC COROFIL
PASSIVE FIRE PROTECTION SOLUTIONS

CONFIDENCE IN CONSTRUCTION

WWW.PFC-COROFIL.COM

+44 (0) 208 391 0533



PFC COROFIL
PASSIVE FIRE PROTECTION SOLUTIONS

King Georges Trading Estate | Davis Road | Chessington | KT9 1TT

T. +44 (0) 208 391 0533

E. sales@pfc-corofil.com | tech@pfc-corofil.com | W. pfc-corofil.com