

UL-EU CERTIFICATE

Certificate No. UL-EU-01230-CPR

Page 1/7

Date of Issue 2021-12-15

Certificate Holder Pre-Formed Components Ltd
Brunswick House
1 Deighton Close
Wetherby, LS22 7GZ
United Kingdom

Manufacturer Pre-Formed Components Ltd
Brunswick House
1 Deighton Close
Wetherby, LS22 7GZ
United Kingdom

Certified Product Type Fire Stop – Mineral Wool Board
Product Trade Name PFC Corofil Linear Gap Seal Blocks (CLGB)
Trademark N/A
Rating/Classification See Appendix

Harmonised Technical Specifications EAD 350141-00-1106 / EN 13501-2
Expiry date 2031-12-14



A handwritten signature in purple ink, appearing to read 'Chris Miles'.

Authorized Certification Decision Maker
Chris Miles

This is to certify that representative samples of the Certified Product listed above have been investigated by Underwriters Laboratories to the Standard(s) indicated on this Certificate, in accordance with the UL Global Services Agreement and the UL-EU Mark Service Terms and Conditions ("Agreement"). The Certificate Holder is entitled to use the UL-EU Mark for the Certified Product listed on the certificate and manufactured at the production site(s) listed, in accordance with the terms of the Agreement. Only those products bearing the UL-EU Mark for Europe should be considered as being covered by UL's UL-EU Mark Service. This Certificate shall remain valid through the Expiration date, unless a Standard identified on this Certificate is amended or withdrawn prior to that date or there is a non-compliance with the Agreement.



Appendix UL-EU CERTIFICATE

Certificate No. UL-EU-01230-CPR
Page 2/7
Date of Issue 2021-12-15

This certificate relates to the use of PFC Corofil Linear Gap Seal Blocks (CLGB) for fire stopping where there are joints in or between floors and walls. The detailed scope is given in pages 3 to 6 of this Certificate. This shows the thickness and acceptable dimensions, substrates and orientations required to provide fire resistance periods of up to 120 minutes (EI 120).

The product is certificated on the basis of:

- i) Inspection and surveillance of factory production control by UL
- ii) Fire resistance test data in accordance with EN 1366-4: 2006 +A1: 2010
- iii) Classification in accordance with EN 13501-2
- iv) Durability and Servicability as defined in EAD 350141-00-1106

The durability class of PFC Corofil Linear Gap Seal Blocks (CLGB) is Z₁ - intended for use at internal conditions with high humidity, excluding temperatures below 0°C



Appendix UL-EU CERTIFICATE

Certificate No. UL-EU-01230-CPR
 Page 3/7
 Date of Issue 2021-12-15

Product-type: Mineral Wool Board		Intended use: Penetration Seal
Assessment method	Essential characteristic	Product Performance
BWR 2 Safety in case of fire		
EN 13501-1	Reaction to fire	No performance determined
EN 13501-2	Resistance to fire	See pages 4-6
BWR 3 Hygiene, health and environment		
Declaration of manufacturer & EN 16516	Content, emission and/or release of dangerous substances	Declaration of manufacturer
EN 1026	Air permeability (material property)	No performance determined
EAD 350141-00-1106, Annex C & EN 12390-8	Water permeability (material property)	No performance determined
BWR 4 Safety in use		
EOTA TR 001:2003	Mechanical resistance and stability	No performance determined
EOTA TR 001:2003	Resistance to impact/movement	No performance determined
EOTA TR 001:2003	Adhesion	No performance determined
ISO 11600 & EAD 350141-00-1106, Clause 2.2.13	Durability	Z ₁
EAD 350141-00-1106, Clause 2.2.12	Movement capacity	No performance determined
EAD 350141-00-1106, Clause 2.2.13	Cycling of perimeter seals for curtain walls	No performance determined
EAD 350141-00-1106, Clause 2.2.14	Compression set	No performance determined
EAD 350141-00-1106, Clause 2.2.15	Linear expansion on setting	No performance determined
BWR 5 Protection against noise		
EN 10140-1,2,4,5/ EN ISO 717-1	Airborne sound insulation	No performance determined
BWR 6 Energy economy and heat retention		
EN 12664, EN 12667, EN 12939, EN ISO 8990, EN ISO 6946, EN ISO 10456	Thermal properties	No performance determined
EN ISO 12572, EN 12086, EN ISO 10456	Water vapour permeability	No performance determined



Appendix UL-EU CERTIFICATE

Certificate No. UL-EU-01230-CPR
 Page 4/7
 Date of Issue 2021-12-15

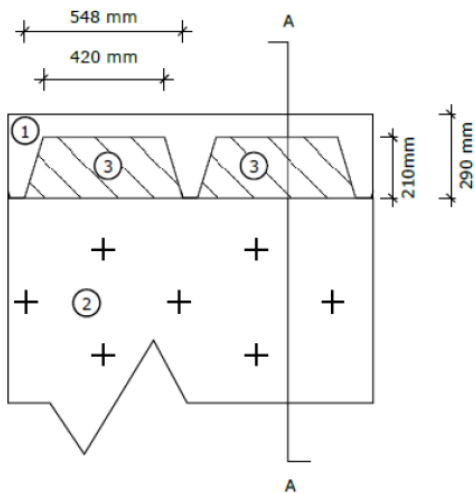
Flexible or rigid wall constructions with wall thickness of minimum 100 mm

Linear joint system, installed within the trapezoidal profile of a composite deck at the head of a flexible or rigid wall supporting construction

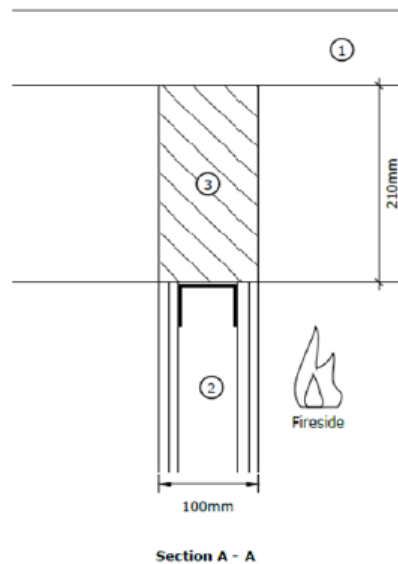
Joint System: PFC Corofil Linear Gap Blocks (CLGB) compress fitted within the trapezoidal profile of a composite deck, and flush to both faces of the wall

Construction details:

Top view:



Vertical section:



1. Composite deck
2. Flexible wall (minimum 90 minute specification as per Clause 7.2.2.1.2 of EN 1366-3: 2009)
3. CLGB trapezoidal block

Substrate	Min. Depth (mm)	Seal Material	Classification
Plasterboard / Trapezoidal composite steel deck	100	Stone mineral wool*, 215 mm high x 553 mm bottom length/425mm top length x 100 mm thick, oversize by 5 mm in each direction and compress fitted within the trapezoidal profile	EI 120 – T – X – F – W 10 to W 210

*110kg/m³



Appendix UL-EU CERTIFICATE

Certificate No. UL-EU-01230-CPR
 Page 5/7
 Date of Issue 2021-12-15

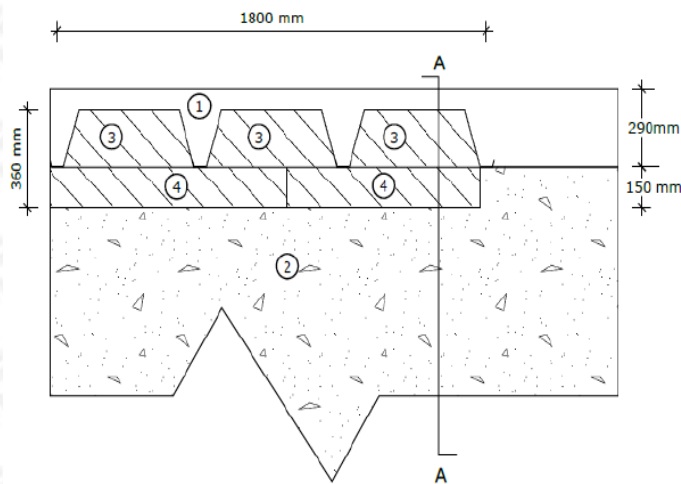
Rigid wall constructions with minimum thickness of minimum 100 mm

Linear joint system, installed within the trapezoidal profile of a composite deck at the head of a rigid wall supporting construction

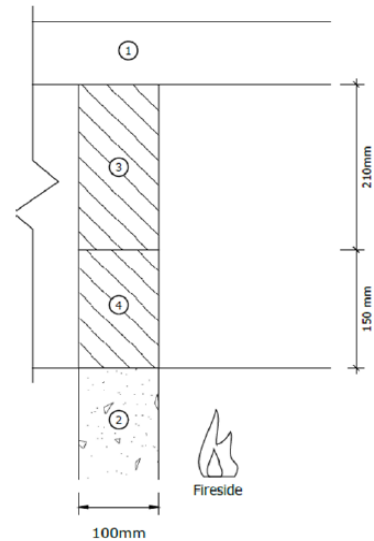
Joint System: PFC Corofil Linear Gap Blocks (CLGB) compress fitted within the trapezoidal profile of a composite deck, in conjunction with PFC Corofil Linear Gap Strips (CLGS) and flush to both faces of the wall

Construction details:

Front view:



Vertical section:



Section A - A

1. Composite deck
2. Light weight aggregate wall
3. CLGB trapezoidal block
4. CLGS

Substrate	Min. Depth (mm)	Seal Material	Classification
Concrete / Trapezoidal composite steel deck	100	#See information below	E 120 – T – X – F – W 10 to W 210, EI 30 – T – X – F – W 10 to W 210

#CLGB stone mineral wool blocks*, 215 mm high x 553 mm bottom length/425mm top length, oversize by 5 mm in each direction and compress fitted within the trapezoidal profile. The CLGB block is fitted centrally within the wall above a separate CLGS stone mineral wool strip*, oversize by 5 mm in each direction and compress fitted to provide a maximum profile of 210 mm and a maximum linear gap height of 150 mm.

*110kg/m³



Appendix UL-EU CERTIFICATE

Certificate No. UL-EU-01230-CPR
 Page 6/7
 Date of Issue 2021-12-15

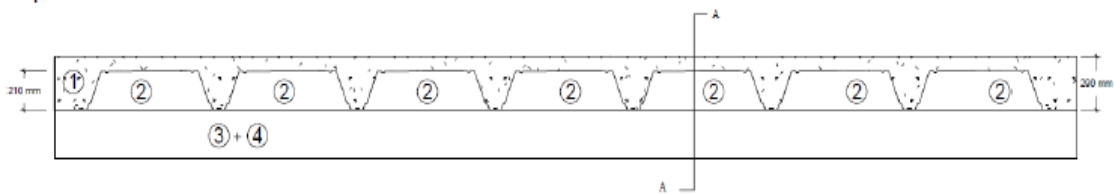
Steel I beam, protected with a three-sided beam encasement

Linear joint system, installed within the trapezoidal profile of a composite deck above a steel I-beam protected with a double layer, gypsum based, three-sided cladding system

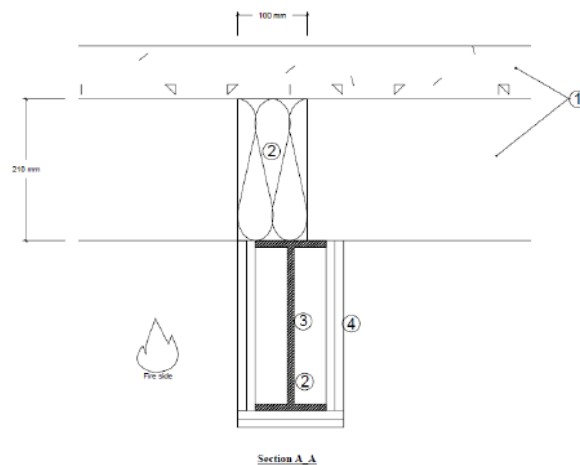
Joint System: PFC Corofil Linear Gap Blocks (CLGB) compress fitted within the trapezoidal profile of a composite deck, and flush to fire side or full width of the steel beam if direction of fire is unknown.

Construction details:

Top view:



Vertical section:



1. Composite deck
2. CLGB trapezoidal block
3. 254 mm high by 102 mm wide x 6.8mm thick steel I-beam with 75 microns C400V3 Primer
4. Double layer 15 mm thick Gyproc FireLine, three-sided gypsum-based beam encasement system

Substrate	Min. Depth (mm)	Seal Material	Classification
Steel I-beam / Trapezoidal composite steel deck	100	Stone mineral wool*, 215 mm high x 553 mm bottom length/425mm top length, oversize by 5 mm in each direction and compress fitted within the trapezoidal profile.	EI 120 – T – X – F – W 10 to W 210

*110kg/m³



Appendix UL-EU Certificate

Certification Mark	UL-EU mark
Certificate No.	UL-EU-01230-CPR
Page	7/7
Date of Issue	2021-12-15

The UL-EU Mark, as displayed below, shall appear on certified products only. Minimum size is not specified, as long as the Mark is legible. The following is suggested.



The minimum height of the registered trademark symbol ® shall be 1 mm. When the overall diameter of the UL-EU Mark is less than 9.5 mm, the trademark symbol may be omitted if it is not legible to the naked eye.

The UL-EU Mark may appear on a label, nameplate, or may be cast, stamped or molded into the product. When appearing on a label or nameplate, the Manufacturer's name or trademark along with a model number are also required on that same label or nameplate. If cast, stamped or molded, the Manufacturer's name or trademark and model number shall also appear elsewhere on the product.

All content shall be in accordance with the details provided on this UL-EU Certificate.

PROCUREMENT

The Production site may reproduce the Mark or obtain it from a UL authorized supplier. The list of UL authorized suppliers can be found on UL's online directory at www.ul.com.

