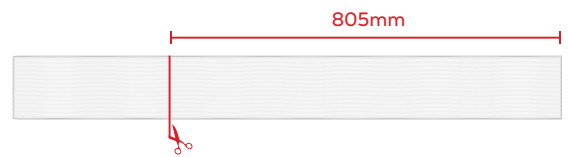
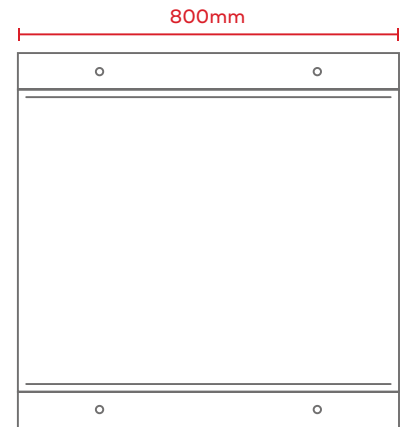


**Considerations before installation**

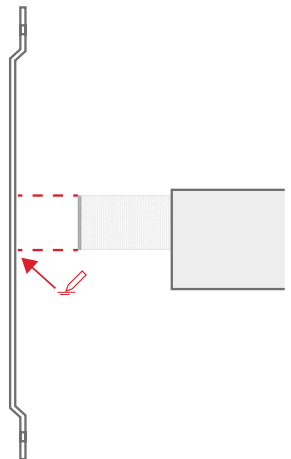
Install the PFC Corofil Open State Barrier COSB 25 (1024) as per the installation instructions on TDSCOSB 25.

**Installation instructions**

Take a 1 metre strip of PFC Corofil Open State Insert COSI and cut to length, (if the panel is wider than 1 metre, use extra lengths) ensure the total length of the insert is 5mm longer than the cassette panel opening.



Mark on the cassette panel where the COSB 25 (1024) will line up and ensure the COSI is installed centrally so that the COSB 25 (1024) can expand against the full surface of the COSI.



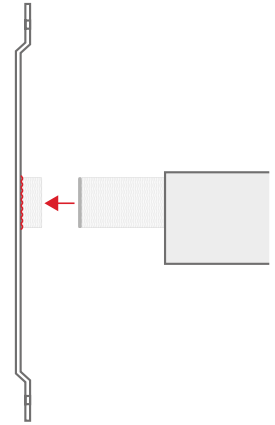
Apply a 6mm bead of PFC Corofil Fire Resistant Silicone Sealant in two lines approximately 25mm in from each edge along the full length of the strip to one face of the insert.



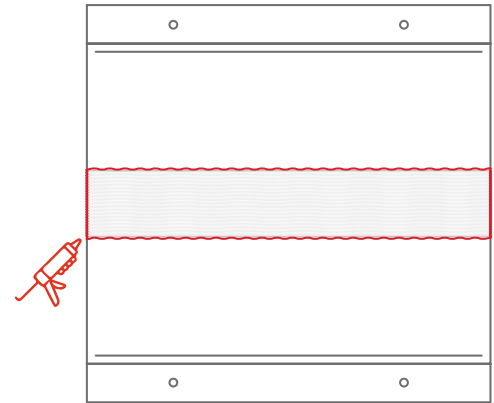
**Installation instructions (continued)**

---

Place the insert with the sealant facing the panel into the cassette and apply firm pressure along its length making sure the insert is fully adhered to the cassette panel.



Apply PFC Corofil Fire Resistant Silicone Sealant around the edges of the insert to seal against the cassette panel and install the panel. Make sure that the COSB 25 (1024) and the COSI are in line.



**Substrates**

---

Masonry; minimum 150mm thick and comprise of concrete, aerated concrete or masonry, with a minimum density of 650kg/m<sup>3</sup>.

Steel Frame System; Metsec SFS 100mm x 2mm thick faced with 12.5mm Knauf Windliner Board on the outer face.

The supporting construction must be classified in accordance with EN13501-2 for the required fire resistance period.