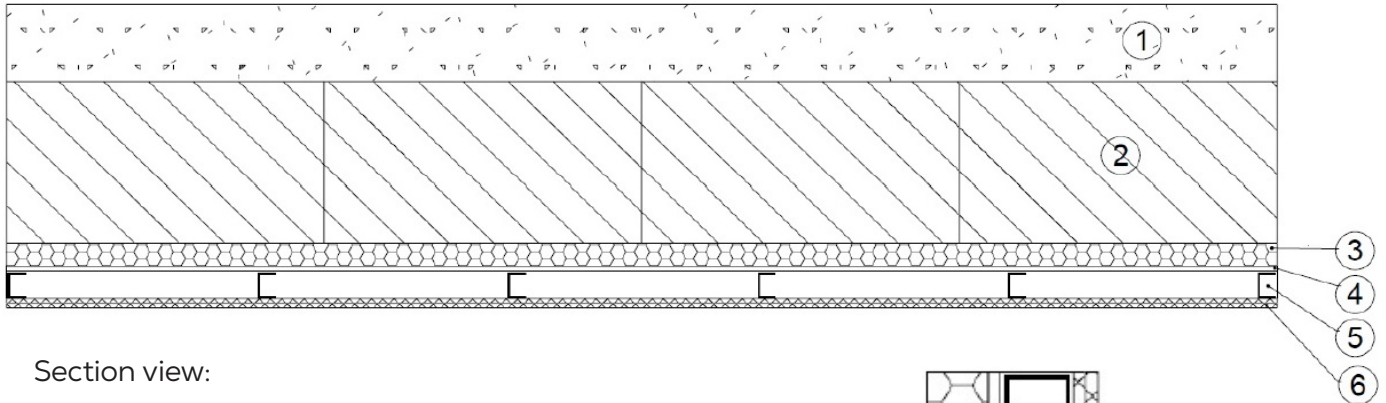
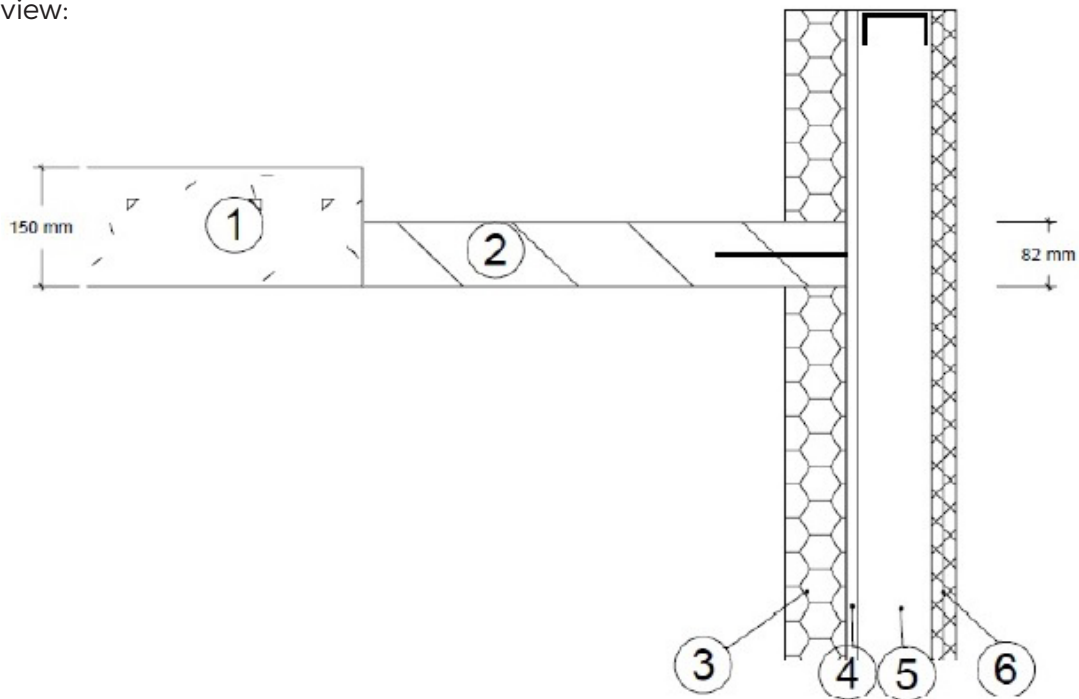


PFC COROFIL CAVITY FIRE STOP CCFS
 INSTALLED HORIZONTALLY WITH SFS SYSTEM
 [82mm DEEP STRIP 10mm - 595mm GAP WIDTH]

Top view:



Section view:



PFC Corofil Cavity Fire Stop CCFS to be installed in line with the product installation instructions. See Technical Data Sheet TDSCCFs for full details.

- 1 Minimum 150mm lightweight aggregate floor
- 2 PFC Corofil Cavity Fire Stop CCFS
- 3 Minimum 75mm Rockwool Duo Slab
- 4 1 x 12 mm RCM Y-Wall
- 5 90 mm Metsec C stud

- 6 2 x 15mm Knauf Fire Panel

 PASSIVE FIRE PROTECTION SOLUTIONS	
Units 3 & 4, King George Trading Estate, Davis Road, Chessington, Surrey KT9 1TT	
Phone: 020 8391 0533 Web: www.pfc-corofil.com Email: tech@pfc-corofil.com	
Drawing Title: CCFS Horizontal SFS	Date: 27/02/2023
Drawing Number: CCFS-H-SFS-595	Checked by: SE/DQ
Scale: Not to scale	Revision: 1