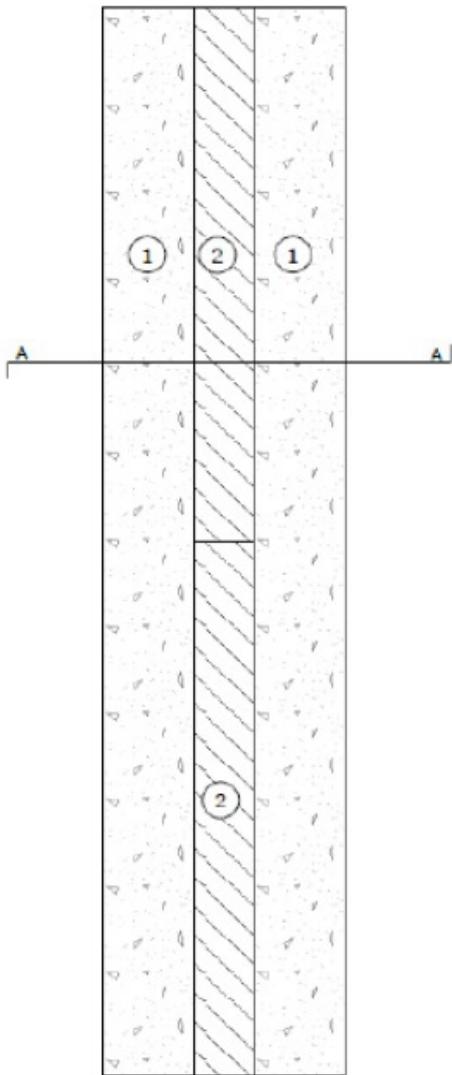


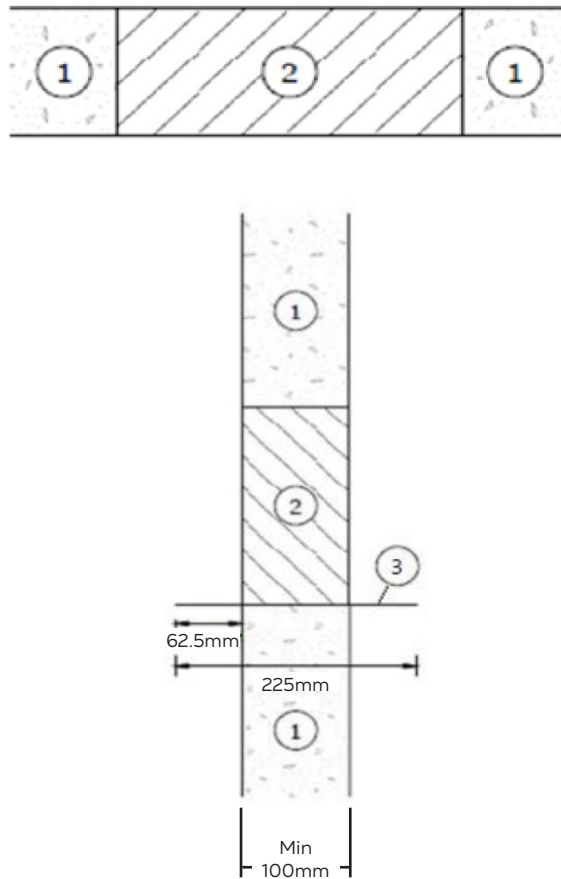
**PFC COROFIL CAVITY FIRE STOP CCFS
INSTALLED VERTICALLY IN RIGID WALL
[100mm DEEP STRIP WITH DPC 10mm - 200mm GAP WIDTH]**



Front view:




Section view (A-A):



PFC Corofil Cavity Fire Stop CCFS to be installed in line with the product installation instructions. See Technical Data Sheet TDSCCFS for full details.

- 1 Minimum 100mm thick lightweight rigid wall
- 2 PFC Corofil Cavity Fire Stop CCFS
- 3 225mm Damp Proof Course (DPC) bonded centrally

 PFC COROFIL <small>PASSIVE FIRE PROTECTION SOLUTIONS</small>	
Units 3 & 4, King George Trading Estate, Davis Road, Chessington, Surrey KT9 1TT	
Phone: 020 8391 0533 Web: www.pfc-corofil.com Email: tech@pfc-corofil.com	
Drawing Title: CCFS Vertical Rigid Wall DPC	Date: 27/02/2023
Drawing Number: CCFS-V-RW-DPC-200	Checked by: SE/DQ
Scale: Not to scale	Revision: 1