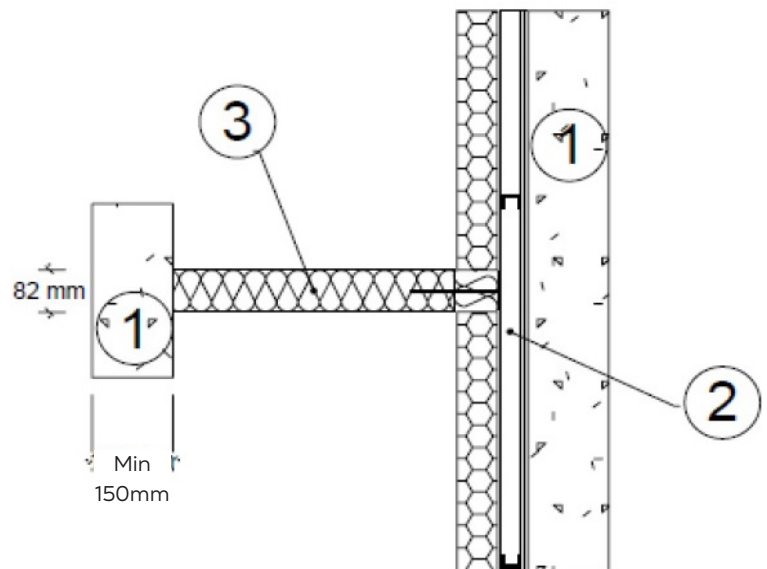
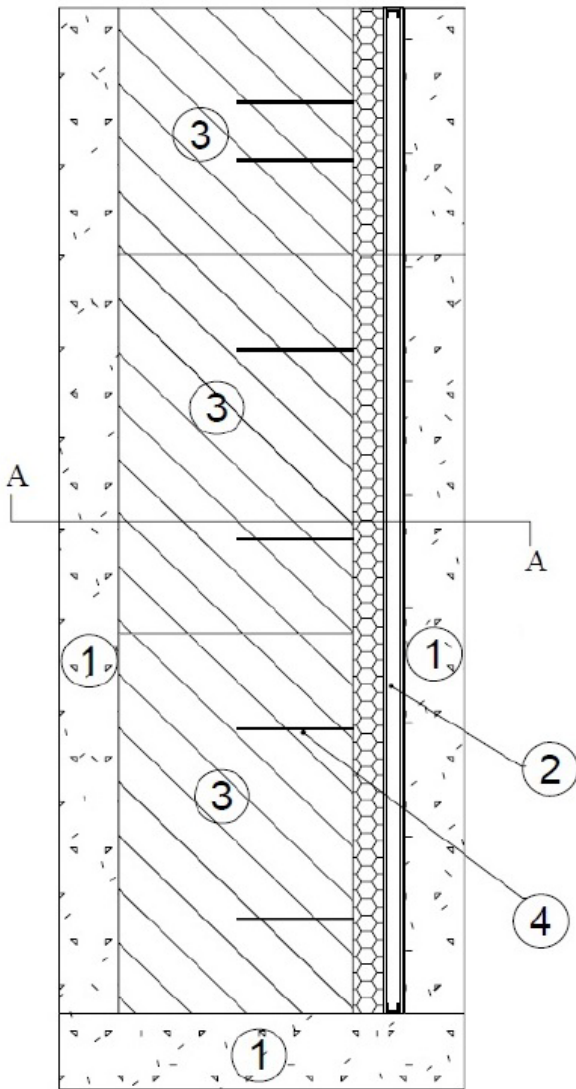


PFC COROFIL CAVITY FIRE STOP CCFS
 INSTALLED VERTICALLY WITH SFS SYSTEM
 [82mm DEEP STRIP 10mm - 600mm GAP WIDTH]

Front view:

Section view (A-A):



PFC Corofil Cavity Fire Stop CCFS to be installed in line with the product installation instructions. See Technical Data Sheet TDSCCFs for full details.

- 1 Minimum 100mm lightweight concrete leaf
- 2 SFS system 135mm overall thickness, comprising 90mm Metsec C stud, clad internally with 2 x 15mm Knauf Fire Panel, clad externally with 1 x 12mm RCM Y-Wall and minimum 75mm Rockwool Duo Slab
- 3 PFC Corofil Cavity Fire Stop CCFS
- 4 PFC Corofil Multipurpose (MP) Bracket

Units 3 & 4, King George Trading Estate, Davis Road, Chessington, Surrey KT9 1TT	
Phone: 020 8391 0533 Web: www.pfc-corofil.com Email: tech@pfc-corofil.com	
Drawing Title: CCFS Vertical SFS	Date: 27/02/2023
Drawing Number: CCFS-V-SFS-600	Checked by: SE/DQ
Scale: Not to scale	Revision: 1