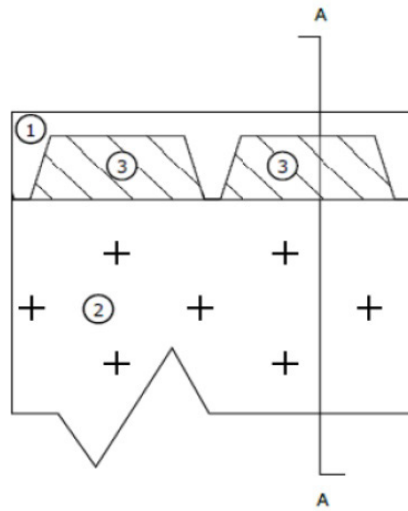


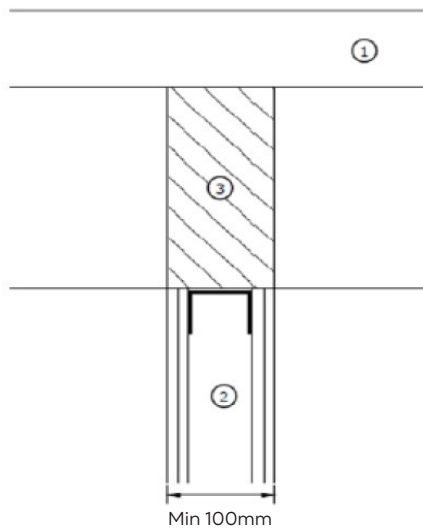
**PFC COROFIL LINEAR GAP BLOCK CLGB
 INSTALLED AT HEAD OF FLEXIBLE OR RIGID WALL
 [100mm DEEP BLOCK 10mm - 210mm HIGH DECK PROFILE]**



Front view:



Section view (A-A):



PFC Corofil Cavity Fire Stop CLGB to be installed in line with the product installation instructions. See Technical Data Sheet TDSCCLGB for full details.

- 1 Composite deck
- 2 Minimum 100mm thick flexible wall / rigid wall
- 3 PFC Corofil Linear Gap Block CLGB

Units 3 & 4, King George Trading Estate, Davis Road, Chessington, Surrey KT9 1TT	
Phone: 020 8391 0533 Web: www.pfc-corofil.com Email: tech@pfc-corofil.com	
Drawing Title: CLGB Flexible Wall / Rigid Wall	Date: 27/02/2023
Drawing Number: CLGB-FW-RW-210	Checked by: SE/DQ
Scale: Not to scale	Revision: 1