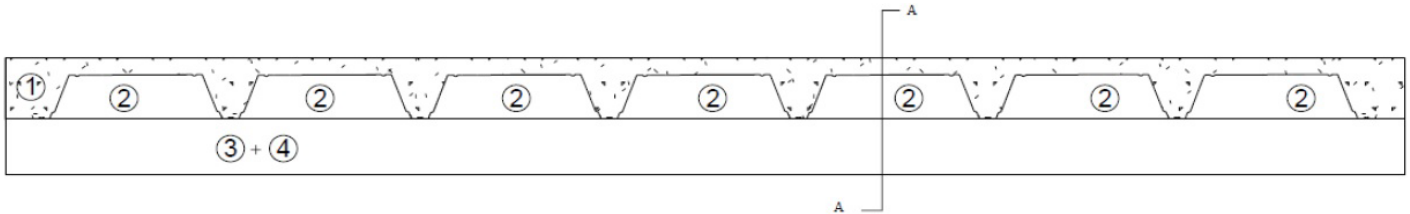
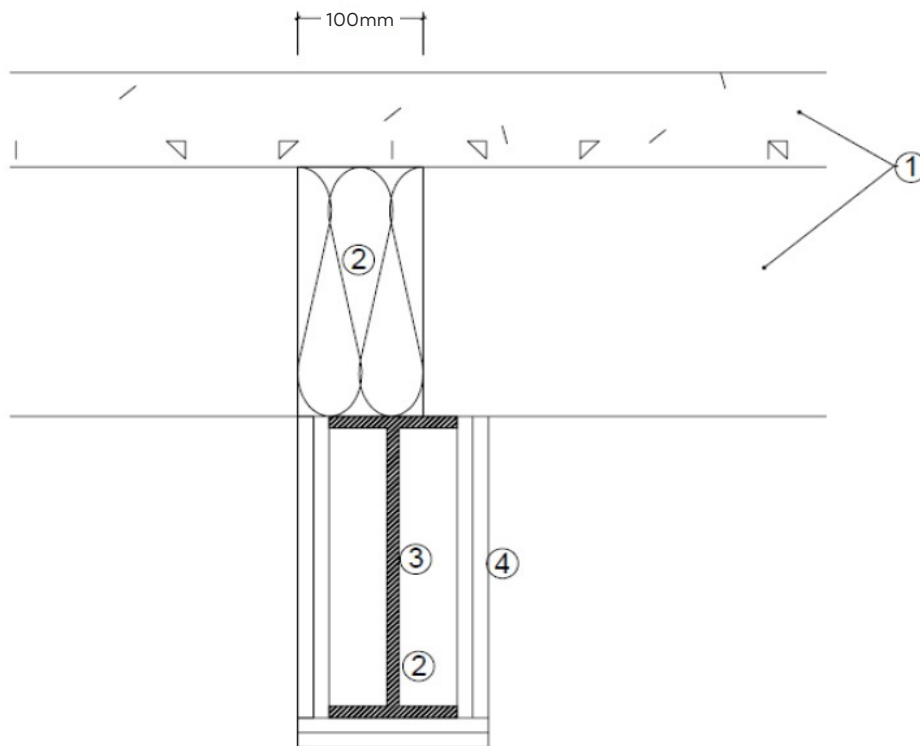


**PFC COROFIL LINEAR GAP BLOCK CLGB
INSTALLED ABOVE STEEL I-BEAM
[100mm DEEP BLOCK 10mm - 210mm HIGH DECK PROFILE]**

Front view:




Section view (A-A):



PFC Corofil Cavity Fire Stop CLGB to be installed in line with the product installation instructions. See Technical Data Sheet TDSCCLGB for full details.

- 1 Composite deck
- 2 PFC Corofil Linear Gap Block CLGB
- 3 254mm high by 102mm wide x 6.8mm thick steel I-beam with 75 microns C400V3 Primer
- 4 Double layer 15mm thick Gyproc FireLine three-sided gypsum-based beam encasement system

	
Units 3 & 4, King George Trading Estate, Davis Road, Chessington, Surrey KT9 1TT	
Phone: 020 8391 0533 Web: www.pfc-corofil.com Email: tech@pfc-corofil.com	
Drawing Title: CLGB Steel Beam	Date: 27/02/2023
Drawing Number: CLGB-SB-210	Checked by: SE/DQ
Scale: Not to scale	Revision: 1